



**DIAMOND**  
**Ice Systems Ltd.**



**FOOD EQUIPMENT FLYER**  
**PRICING IN EFFECT TILL DEC 31ST 2011**



**Indigo™**

## Introducing Indigo Series

Intelligent Thinking Inside The Box™

Building the perfect ice machine wasn't easy, but inside-of-the-box thinking is just what you've come to expect from Manitowoc Ice. We've combined intuition and innovation for the perfect ice machine. We call it Indigo™, you'll call it "ice assurance", because you'll never have to worry about ice again. Discover Indigo, an ice machine so smart, it thinks for you.

Check out the 6 shades of Indigo NOW!



**ID0452A** MANITOWOC NEW INDIGO  
**+ B400** 450# S/S AIR COOLED, DICE  
CUBE, 115V ICE MACHINE  
C/W STORAGE BIN

### **SPA160 + ID0322A**

MANITOWOC NEW INDIGO 320# S/S AIR  
COOLED, DICE CUBE ICE MACHINE, C/W  
22" WIDE S/S PUSH BUTTON HOTEL  
DISPENSER

### **SPA310 + ID0302A**

MANITOWOC NEW INDIGO 300# S/S AIR  
COOLED, DICE CUBE ICE MACHINE, C/W  
30" WIDE S/S PUSH BUTTON HOTEL  
DISPENSER



**DIAMOND**  
**Ice Systems Ltd.**



## UNDER COUNTER SPECIALS



**SM50A** 53lb daily production, air cooled, gourmet cube, 25lb storage capacity



**QM30A** 60lb daily production, air cooled, dice cube, 30lb storage capacity



**QM45A** 95lb daily production, air cooled, dice cube, 30lb storage capacity

**Q130** 130lb daily production, air or water cooled, dice or half dice cube, 80lb storage capacity



**Q170** 175lb daily production, air cooled, dice or half dice cube, 80lb storage capacity

**Q210** 215lb daily production, air or water cooled, dice or half dice cube, 80lb storage capacity

**Q270** 280lb daily production, air or water cooled, Dice or half dice cube, 100lb storage capacity



**DIAMOND**  
Ice Systems Ltd.



QUANTUM™ STORAGE SYSTEMS

# PRO-FORM ANTIMICROBIAL/EPOXY GREEN SHELVING



PART#	WIDTH/LENGTH
QS1430P	14 x 30
QS1436P	14 x 36
QS1442P	14 x 42
QS1448P	14 x 48
QS1454P	14 x 54
QS1460P	14 x 60
QS1472P	14 x 72
QS1824P	18 x 24
QS1830P	18 x 30
QS1836P	18 x 36
QS1842P	18 x 42
QS1848P	18 x 48
QS1854P	18 x 54
QS1860P	18 x 60
QS1872P	18 x 72
QS2124P	21 x 24
QS2130P	21 x 30
QS2136P	21 x 36
QS2142P	21 x 42
QS2148P	21 x 48
QS2154P	21 x 54
QS2160P	21 x 60
QS2172P	21 x 72
QS2424P	24 x 24
QS2430P	24 x 30
QS2436P	24 x 36
QS2442P	24 x 42
QS2448P	24 x 48
QS2454P	24 x 54
QS2460P	24 x 60
QS2472P	24 x 72

PART#	HEIGHT
QP54P	54"
QP63P	63"
QP74P	74"
QP86P	86"

PART#	CASTER
WR-00H-B	C/W BRAKE
WR-00H-S	SWIVEL



**DIAMOND**  
Ice Systems Ltd.

**Continental**  
Refrigerator



## REACH-INS

- 2R** DOUBLE DOOR COOLER
- 2F** DOUBLE DOOR FREEZER

S/S FRONT, ALUM ENDS & INT. C/W 5" CASTERS  
CYLINDER DOOR LOCKS, SELF CLOSING  
DOORS, 52"W x 35-1/2"D x 82-1/4"H

- ALSO AVAILIABLE IN SINGLE, TRIPLE DOORS,  
PLUS GLASS DOORS, HALF DOORS AND MANY  
OTHER OPTIONS.

## SANDWICH/PREP TABLES

- SW27-8** 27" Table c/w 8 inserts
- SW48-12** 48" Table c/w 12 inserts
- SW60-12** 60" Table c/w 12 inserts

S/S FRONT & TOP, ALUM ENDS & INT. C/W 5" CASTERS  
12" CUTTING BOARD, SELF CLOSING DOORS

\* MANY OTHER OPTIONS AVAILABLE



## KEG COOLERS

CONTINUOUSLY COOLED 3" DIA  
BEER COLUMNS WITH S/S LEVER  
FAUCET, CO2 PRESSURE RELIEF  
DISTRIBUTOR AND KEG LINE  
TUBING.  
REMOVABLE S/S DRIP TRAY  
CYLINDER KEYED SECURITY  
LOCKS ON EACH DOOR.

## BACK BAR COOLERS

WEAR RESISTANT TEXTURED BLACKED BAKED  
ENAMEL FINISH OR STAINLESS STEEL EXTERIOR.  
ALL STAINLESS STEEL COUNTER TOP, FLOORS.  
CYLINDER KEYED SECURITY LOCKS ON EACH DOOR.

AVAILABLE IN MANY SIZES AND OPTIONS



- ALSO**
- UNDERCOUNTER COOLER/FREEZERS
- REFRIGERATED BASES
- PIZZA PREP TABLES
- GRIDDLE STANDS
- MILK COOLERS
- BOTTLE COOLERS/PLATE CHILLERS



**DIAMOND**  
Ice Systems Ltd.



## UNDERCOUNTER COOLER/FREEZERS

- MCCR27** UNDERCOUNTER COOLER
- MCCR48** UNDERCOUNTER COOLER
- MCCF27** UNDERCOUNTER FREEZER
- MCCF48** UNDERCOUNTER FREEZER

STAINLESS STEEL FRONT, C/W 6" HEAVY DUTY LEGS

## REACH-INS

- MCCR25-S** SINGLE SOLID DOOR COOLER
- MCCR51-S** DOUBLE SOLID DOOR COOLER
- MCCF25-S** SINGLE SOLID DOOR FREEZER
- MCCF51-S** DOUBLE SOLID DOOR FREEZER
- MCCF76-S** TRIPLE SOLID DOOR FREEZER

STAINLESS STEEL DOOR AND ALUM SIDES. 4" CASTERS ON DOUBLE AND TRIPLE DOOR MODELS.



## SINGLE DOOR COOLERS

- 7-7020T** SINGLE SOLID DOOR COOLER, S/S FRONT

OLDER MODEL ONLY 2 IN STOCK





## GLASS DOOR COOLERS

<b>VR-06</b>	SINGLE DOOR ( 21x 25.6 x 36.1H)
<b>VR-10</b>	SINGLE DOOR ( 24.9 x 22.5 x 53.5H)
<b>VR-12</b>	SINGLE DOOR ( 24.9 x 22.5 x 62.5H)
<b>G3-13</b>	SINGLE DOOR ( 29.5 x 27.5 x 59H)
<b>G3-19</b>	SINGLE DOOR ( 29.5 x 27.5 x 79H)
<b>G3D-26</b>	DOUBLE DOOR ( 40 x 27.5 x 80H)
<b>G3D-42</b>	DOUBLE DOOR ( 59 x 27.5 x 80H)
<b>G3T-72</b>	TRIPLE DOOR ( 79 x 34 x 79H)



- COOLERS C/W LED LIGHTING
- LOW-E DOUBLE PANEL ARGON GAS FILLED GLASS-PACK WITH AN EXTRUDED INSULATED PLASTIC FRAME
- LOW MAINTENANCE CONDENSER PREVENTING DUST BLOCKING AIR FLOW INCREASING COMPRESSOR LIFE

BUY 6 COOLERS RECEIVE EXTRA 10% DISCOUNT

FREIGHT FOB OUR WAREHOUSE



**DIAMOND**  
**Ice Systems Ltd.**



## SE18M SINGLE GLASS DOOR COOLER

HABCO EXCLUSIVE BOTTOM MOUNTED CASSETTE REFRIGERATION SYSTEM EXCHANGE IN LESS THAN 5 MINUTES.

COMPLETELY FRONT BREATHING

SELF CLOSING/SWING DOOR FEATURES EASY MOUNT DOOR REVERSAL SYSTEM. HOLD OPEN POSITION AND SPRING BACK PROTECTION

## SE40E DOUBLE SLIDING GLASS DOOR COOLER

HABCO EXCLUSIVE EASY GLIDE, LOW MAINTENANCE SUSPENDED SLIDING DOOR SYSTEM PROVIDES MAXIMUM FLUID MOTION AND LONG TERM DURABILITY  
HORIZONTAL INTERIOR DISPLAY LIGHTING FEATURING T8 LIGHTING AND ELECTRONIC BALLAST TECHNOLOGY



## FXI-11

WATER FILTER C/W PRESSURE GAUGE, INLET SHUT OFF VALVE PRESSURE RELIEF



**DIAMOND**  
Ice Systems Ltd.

PROTECTS AGAINST SCALE, CORROSION, DIRT, & SEDIMENT. REDUCES CHLORINE, & ODOR



## KELVINATOR REACH-INS

**KRS220RHY**  
**KRS221LHY**

S/S SOLID DOOR COOLER 21.8 CUFT COOLER  
S/S SOLID DOOR COOLER 21.8 CUFT COOLER

**KFS220RHY**  
**KFS221LHY**

S/S SOLID DOOR FREEZER 21.8 CUFT FREEZER  
S/S SOLID DOOR FREEZER 21.8 CUFT FREEZER

**KGM220RHY**

GLASS DOOR 21.8 CUFT COOLER

C/W HEAVY DUTY LOCKING CASTERS

## KELVINATOR ICE CREAM FREEZERS

**KCG50LW** 5.1 CUFT FREEZER  
**KCG70GW** 7.2 CUFT FREEZER  
**KCG90LW** 9 CUFT FREEZER  
**KCG130GW** 12.8 CUFT FREEZER  
**KCG150LW** 14.8 CUFT FREEZER  
**KCG200GW** 19.7 CUFT FREEZER

C/W HEAVY DUTY CASTER & WIRE STORAGE BASKET



BUY 6 PIECES RECEIVE EXTRA 10% DISCOUNT

REACH-INS, FREIGHT FOB OUR WAREHOUSE



**DIAMOND**  
**Ice Systems Ltd.**



## KELVINATOR CHEST FREEZER

<b>KCS050LW</b>	5.1 CUFT FREEZER
<b>KCS070GW</b>	7.2 CUFT FREEZER
<b>KCS130GW</b>	12.8 CUFT FREEZER
<b>KCS150LW</b>	14.8 CUFT FREEZER
<b>KCS200GW</b>	19.7 CUFT FREEZER

FREEZER C/W CASTERS, BASKET, & LOCK

## WINE COOLERS

**CFWC35F4LB**  
**CFWC42F5LS**  
**CFWC38F6LS**  
**CFBC46F5LS**

34 BOTTLES BLACK/BLACK MECH CTRL  
 42 BOTTLES BLACK/S/S ELECTRONIC CTRL  
 38 BOTTLES BLACK/S/S DUAL ZONE CTRL  
 4 ADJ CTRL WITH DIGITAL DISPLAY 32-50F



ALL COOLER 21.5"W x 22.3"D x 33.9"H, REVERSIBLE DOORS, INTERIOR LIGHT, KEY AND LOCK ASSEMBLY



## MICROWAVES

<b>CFCM0734LS</b>	.7CUFT 17"x10.2"x13" 9.6" TURNTABLE
<b>CFCM0923LS</b>	.9CUFT 19"x11"x14" 10.6" TURNTABLE
<b>CFCM1134LS</b>	1.1CUFT 20.75"x13.2"x17 12.4" TURN
<b>CFCE1638LS</b>	1.6CUFT 21.75"x12x17.75" 14.2" TURN C/W MULTISTAGE SENSOR

ALL MICROWAVES HAVE 10 POWER LEVELS, 6 AUTO COOK OPTIONS, EASY SET ONE TOUCH COOKING, WEIGHT & TIME DEFROST, AUDIBLE ALARM

**CFCT1278LS** 1.2CUFT 22"x13.5"x21.38" 13.6" TURN  
 CONVECTION, DOUBLE GRILL,  
 7 AUTO COOK OPTIONS & 7 REHEAT COOK OPTIONS,

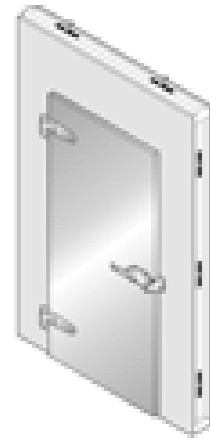
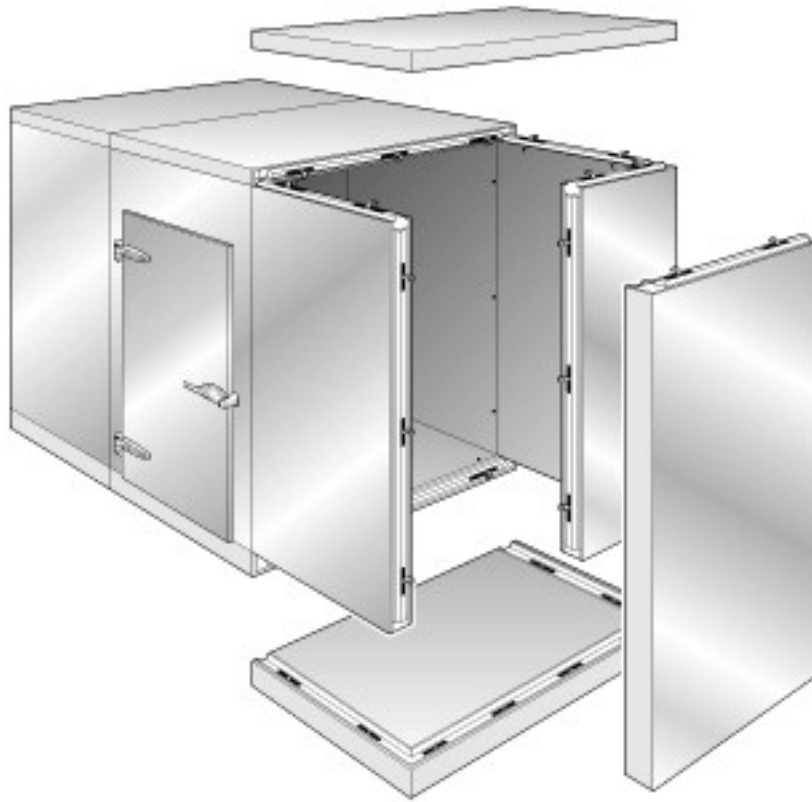
## INDUCTION COOKER

**CFGI13P3KS**

STAINLESS, 110V, TAP TOUCH ELECTRONICS,  
 6 POWER LEVELS, 180 MINUTE TIMER,  
 INDUCTION PAN INCLUDED



**DIAMOND**  
**Ice Systems Ltd.**



## IMPERIAL WALK-IN BOXES

ALL STANDARD WALK-IN BOXES ARE 4" HIGH DENSITY URETHANE, STUCCO WHITE GALVALUME FINISH.

CALL FOR QUOTE ON ANY SIZE JOB, BOXES QUOTED TO EXACT SIZE WITH MANY OPTIONS.



## ANTHONY GLASS DOORS

WE CAN PROVIDE YOU WITH WALK-IN GLASS DOOR TO FIT ANY APPLICATION.

GRAVITY FLOW SHELVING ALSO AVAILABLE WITH THE GLASS DOORS.

GIVE US A CALL FOR A QUOTE.



**DIAMOND**  
**Ice Systems Ltd.**



THE INDUSTRY'S FINEST ICE STORAGE BINS AND ICE MANAGEMENT SYSTEMS.



**STAINLESS STEEL TABLES**

- WT-2424
- WT-2430
- WT-2436
- WT-2448
- WT-2460
- WT-2472
- WT-2496

- WT-3030
- WT-3036
- WT-3048
- WT-3060
- WT-3072
- WT-3096



MANITOWOC FLAKER PRODUCES 731 LBS DAILY C/W S/S STORAGE BIN ALSO AVAILABLE IN WATER COOLED

PRICES SUBJECT TO CHANGE WITHOUT NOTICE.



**DIAMOND**  
Ice Systems Ltd.

LOCATION	ADDRESS	TOLL FREE	PHONE	FAX
BURNABY	2515 Eastbrook Parkway	877-551-5599	604-298-4141	604-298-4150
VICTORIA	124 Marler Drive	877-391-8710	250-391-8710	250-391-8732
CALGARY	Bay 12, 3419- 12 Street NE	877-606-8666	403-214-2177	403-214-2199
EDMONTON	#101- 17882 106 Ave.	866-732-2290	780-732-2290	780-732-2299
WINNIPEG	1561 King Edward Street	866-879-3490	204-775-1510	204-775-1527